



Selection: Semi-hermetic Screw Compressors HS

Input Values

Compressor model	HSN6451-40	Operating mode	Standard
Refrigerant	R404A	Power supply	400V-3-50Hz
Reference temperature	Dew point temp.	Useful superheat	100%
Liq. subc. (in condenser)	0 K	Additional cooling	Automatic
Suct. gas superheat	10,00 K	Max. discharge gas temp.	80,0 °C

Result

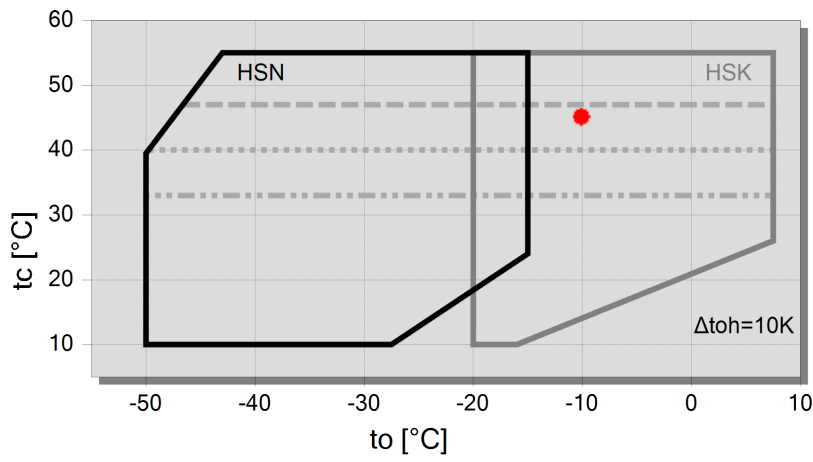
Q [W]	Cooling capacity	mHP [kg/h]	Mass flow HP
P [kW]	Power input	Qac [kW]	Additional cooling
I [A]	Current	tcu [°C]	Liquid temp.
COP [-]	COP/EER	pm [bar(a)]	ECO pressure
mLP [kg/h]	Mass flow LP	Qsc [kW]	sub cooler capacity (ECO)

tc	to	-15°C	-20°C	-25°C	-30°C	-35°C	-40°C	-45°C	-50°C
30°C	Q [W]	75938	61332	48966	38569	29890	22706	16812	12026
	P [kW]	28,2	26,5	25,0	23,7	22,5	21,4	20,5	19,60
	I [A]	48,2	45,9	43,9	42,1	40,5	39,1	37,9	36,8
	COP [-]	2,69	2,31	1,95	1,63	1,33	1,06	0,82	0,61
	mLP [kg/h]	2219	1837	1504	1217	970	758	579	427
	mHP [kg/h]	2219	1837	1504	1217	970	758	579	427
	Qac [kW]	--	--	--	--	0,73	3,73	6,45	8,89
	tcu [°C]	29,6	29,6	29,6	29,6	29,6	29,6	29,6	29,6
	pm [bar(a)]	--	--	--	--	--	--	--	--
	Qsc [kW]	--	--	--	--	--	--	--	--
40°C	Q [W]	65040	52162	41329	32285	24801	18668	13697	--
	P [kW]	32,7	31,1	29,5	28,1	26,9	25,7	24,7	--
	I [A]	54,4	52,1	50,0	48,1	46,4	44,8	43,5	--
	COP [-]	1,99	1,68	1,40	1,15	0,92	0,73	0,55	--
	mLP [kg/h]	2187	1804	1473	1187	942	733	557	--
	mHP [kg/h]	2187	1804	1473	1187	942	733	557	--
	Qac [kW]	--	--	1,01	4,13	6,99	9,61	11,99	--
	tcu [°C]	39,6	39,6	39,6	39,6	39,6	39,6	39,6	--
	pm [bar(a)]	--	--	--	--	--	--	--	--
	Qsc [kW]	--	--	--	--	--	--	--	--
50°C	Q [W]	52732	41812	32700	25163	18992	13997	10008	--
	P [kW]	38,7	37,0	35,5	34,0	32,8	31,6	30,5	--
	I [A]	62,9	60,4	58,2	56,2	54,5	52,8	51,3	--
	COP [-]	1,36	1,13	0,92	0,74	0,58	0,44	0,33	--
	mLP [kg/h]	2117	1737	1408	1125	883	679	507	--
	mHP [kg/h]	2117	1737	1408	1125	883	679	507	--
	Qac [kW]	5,06	7,97	10,74	13,33	15,73	17,90	19,83	--
	tcu [°C]	49,7	49,7	49,7	49,7	49,7	49,7	49,7	--
	pm [bar(a)]	--	--	--	--	--	--	--	--
	Qsc [kW]	--	--	--	--	--	--	--	--

-- No calculation possible (see message in single point selection)

*According to EN12900 (10K suction gas superheat, 0K liquid subcooling)

Application Limits Standard HSN6451-40



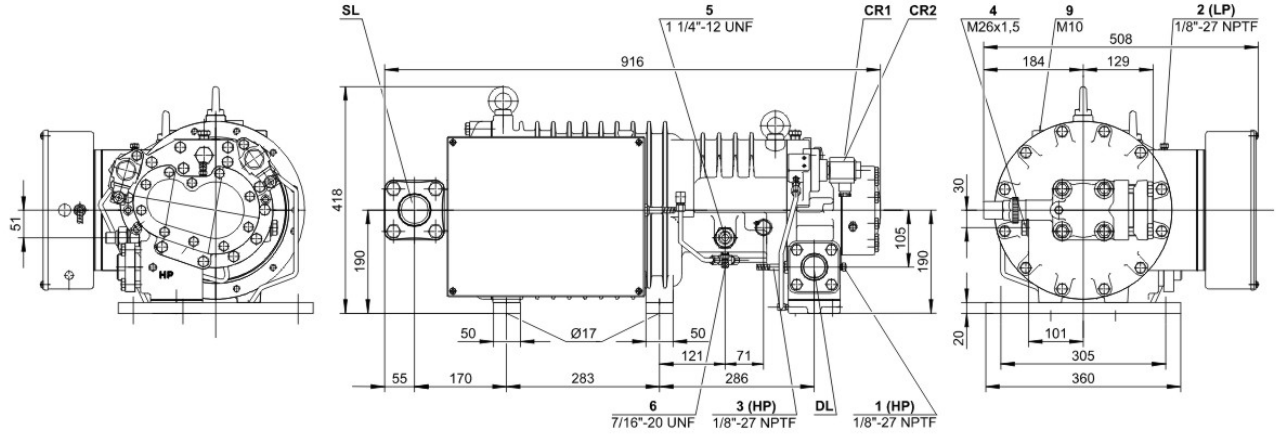
Legend

- max. tc for frequencies = 20Hz
- ... max. tc for frequencies = 25Hz
- max. tc for frequencies = 35Hz
- A



Technical Data: HSN6451-40

Dimensions and Connections





Technical Data

Technical Data

Displacement (2900 RPM 50 Hz)	140 m ³ /h
Displacement (3500 RPM 60 Hz)	168 m ³ /h
Weight	234 kg
Max. pressure (LP/HP)	19 / 28 bar
Connection suction line	54 mm - 2 1/8"
Connection discharge line	42 mm - 1 5/8"
Adapter/shut-off valve for ECO	22 mm - 7/8" (Option)
Oil type R22	B150SH, B100 (Option)
Oil type R134a/R404A/R507A/R407A/R407F	BSE170
Oil type R448A/R449A/R454C	BSE170

Motor data

Motor version	1
Motor voltage (more on request)	380-415V PW-3-50Hz
Max operating current	65.0 A
Starting current (Rotor locked)	187.0 A D / 313.0 A DD
Max. Power input	42,1 kW

Extent of delivery (Standard)

Discharge gas temperature sensor	Standard
Start unloading	Standard
Oil flow control	SE-B3 (Standard)
Motor protection	SE-E1 (Standard), SE-E3 (Standard for 660-690V)
Suction shut-off valve	Standard
Capacity control	100-75-50% (Standard)
Enclosure class	IP54

Available Options

Discharge shut-off valve	Option
ECO connection with shut-off valve	Option
Motor protection	SE-i1 (200-690V)

Sound measurement

Sound power level (-35°C / 40°C)	86,5 dB(A)
Sound pressure level @ 1m (-35°C / 40°C)	78,5 dB(A)



Semi-hermetic Screw Compressors HS

HSK = Application for air-conditioning and medium temperature cooling.

HSN = Application for low temperature cooling.

Notes regarding application limits (see "Limits")

- * Ranges are valid for standard operation and at full-load conditions.
- * With high pressure conditions, part-load operation is partly limited (see application limits in applications manual SH-100).
- * With Economizer operation the maximum admissible evaporation temperature is shifted by 10K downward (otherwise there is a danger of excessive compression and overload of the motor because of a higher mass flow). At pull-down conditions from higher evaporation temperatures, the ECO injection must remain closed until the evaporation temperature is below the maximum admissible value and a stable operation is achieved (e.g. control of the ECO solenoid valve by means of a low pressure cut-out). The use of the ECO-system with higher evaporation temperatures requires individual consultation with Bitzer.

HS 64/74

- * Capacity control with ECO operation at the same time is limited to one single regulating step (CR 75%). At CR 50% the ECO injection should be closed.

Data for sound emission

Data are based on 50Hz application (IP-units 60Hz) and R404A.

Sound pressure level: values are based on open air test sites with semi-spherical sound emissions at 1 meter distance. For further information see Technical Information "Sound Data".

Legend of connection positions according to "Dimensions":

- 1 High pressure connection (HP)
Connection for high pressure switch (HP)
- 1a Additional high pressure connection (HP)
Not suitable for pressure switch or pressure transmitter!
- 1b Connection for high pressure transmitter (HP)
- 2 Low pressure connection (LP)
Connection for low pressure switch
- 2a Additional low pressure connection (LP)
- 2b Connection for low pressure transmitter (LP)
- 2c Low pressure connection for the minimum pressure differential control valve
- 3 Connection for discharge gas temperature sensor (HP)
- 4 Connection for economiser (ECO)
HS.85: ECO valve with connection line (option)
OS.85, OS.95, OS.105, HS.95: ECO valve (option)
- 5 Connection/valve for oil injection
- 6 Oil pressure connection
- 7 Oil drain (compressor or motor housing)
- 7a Oil drain (suction gas filter)
- 7b Oil drain from shaft seal (maintenance connection)
- 7c Oil drain hose (shaft seal)
- 8 Threaded bore for foot fastening
- 9 Threaded bore for pipe fixture (ECO and LI lines)
- 10 Maintenance connection for oil filter
- 11 Oil drain (oil filter)
- 13 Oil filter monitoring
- 14 Oil flow switch
- 15 Earth screw for housing
- 16 Pressure blow-off (oil filter chamber)
- 17 Maintenance connection for shaft seal
- 18 Liquid injection (LI)
- 19 Compressor module
- 20 Slider position indicator
- 21 Oil level switch
- 22 Oil pressure transmitter



- 23 Connection for oil and gas return (for systems with flooded evaporator adaptor optional)
- 24 Access to oil circulation restrictor
- 25 Oil inlet for shaft seal cooling
- 26 Oil outlet for shaft seal cooling
- 27 Temperature sensor in the shaft seal
- 28 Vibration sensor connection
- SL Suction gas line
- DL Discharge gas line

Dimensions can show tolerances according to EN ISO 13920-B.